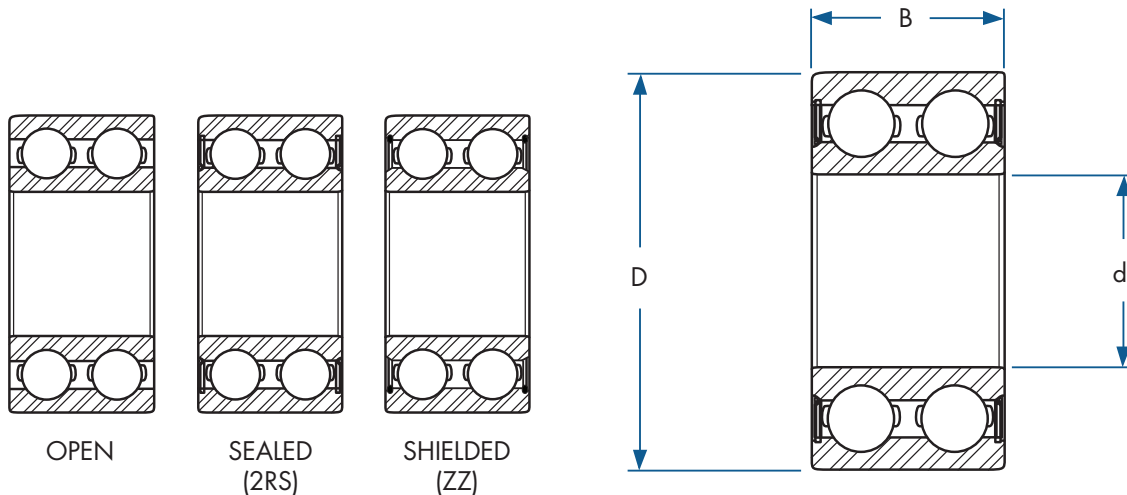


5300 Series



Bearing Size	Dimensions			Load Rating (lbs)		Limiting Speed (RPM)	
				Dynamic	Static	2RS	ZZ/OPEN
	d (mm)	D (mm)	B (inches)	Cr	Cor		
5302	15	42	3/4	3,867	2,271	9,900	13,000
5303	17	47	7/8	4,586	2,720	9,900	12,000
5304	20	52	7/8	4,631	2,855	9,000	13,000
5305	25	62	1	6,857	4,609	7,500	11,000
5306	30	72	1-3/16	8,880	6,182	6,300	9,000
5307	35	80	1-3/8	11,128	7,868	6,000	8,500
5308	40	90	1-7/16	13,601	9,892	5,000	7,000
5309	45	100	1-9/16	16,299	12,140	4,800	6,700
5310	50	110	1-3/4	19,221	14,500	4,000	6,000
5311	55	120	1-15/16	23,830	18,434	4,000	5,300
5312	60	130	2-1/8	27,426	21,469	2,720	5,000
5313	65	140	2-5/16	31,023	24,504	2,560	4,500
5314	70	150	2-1/2	34,845	28,101	2,240	4,300
5315	75	160	2-11/16	37,768	31,698	2,080	4,000